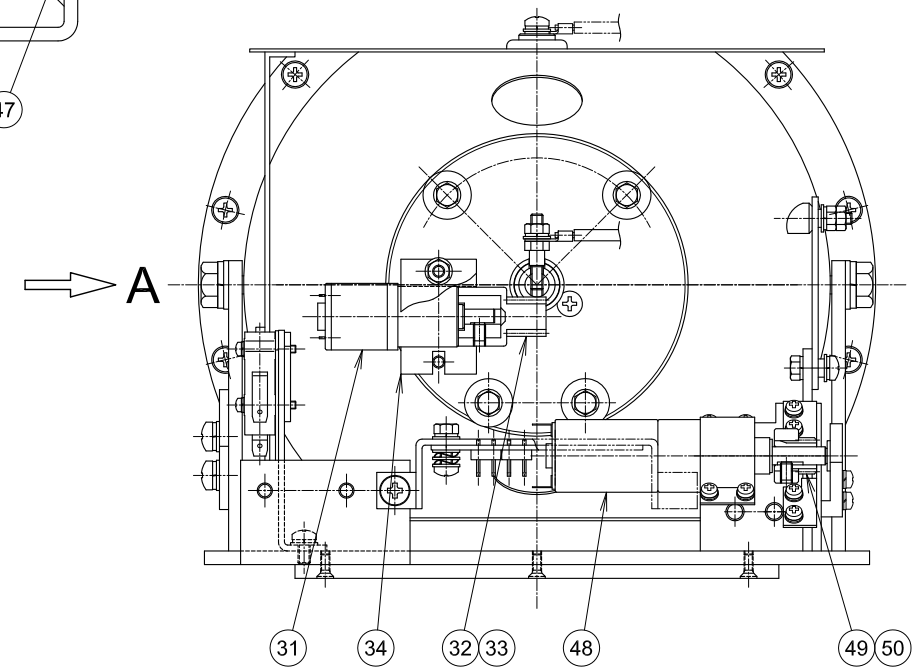


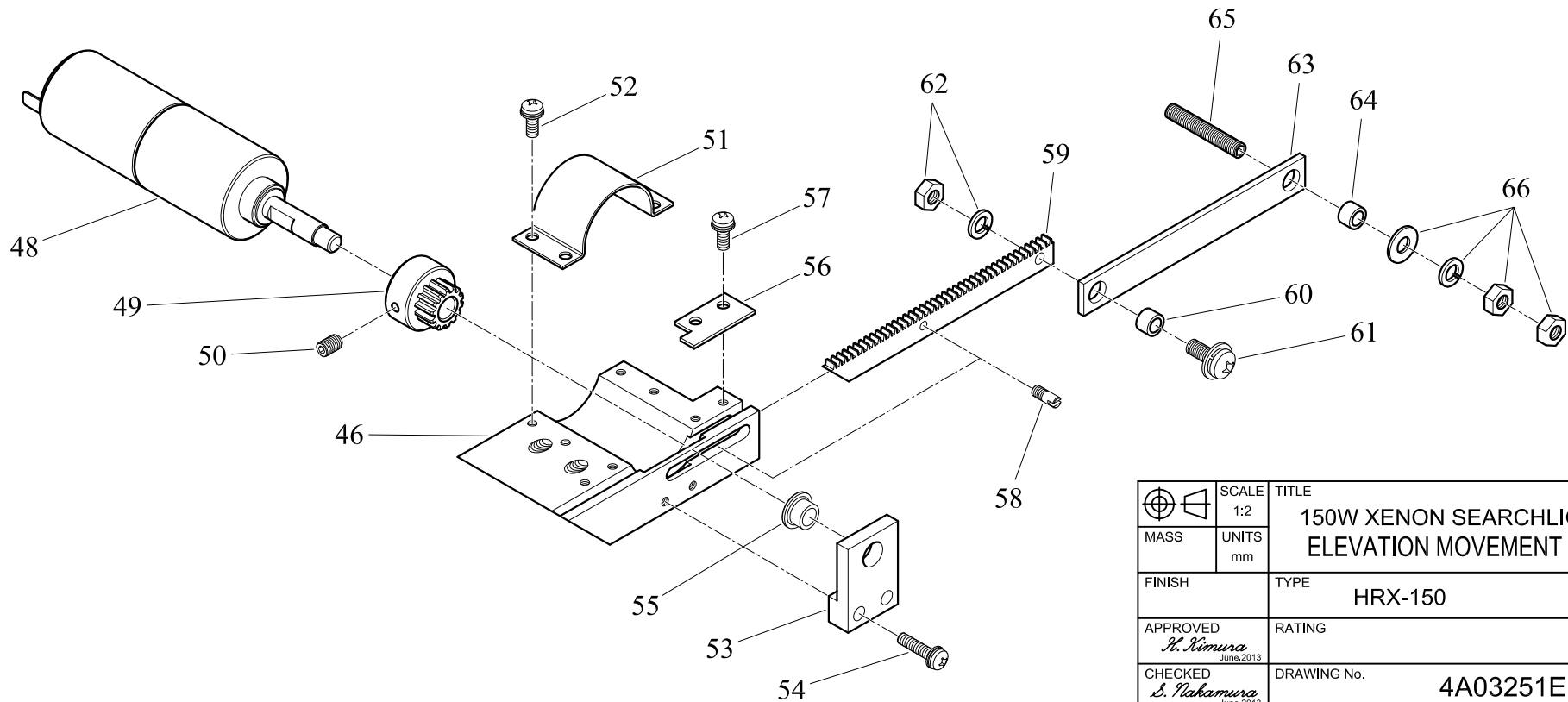
VIEW IN DIRECTION OF ARROW **A**



NOTE
 INSTALL WASHERS OF ITEM No.17 AS EQUALLY AS
 POSSIBLE BETWEEN SIDES.

| No. | NAME OF PARTS | MATERIAL | QTY | REMARKS |
|---|---------------|---|-----|---------|
| SCALE 1:2.5 | | TITLE 150W XENON SEARCHLIGHT DC24V POWER HEAD ASSEMBLY | | |
| MASS UNITS mm | | | | |
| FINISH | | TYPE HRX-150 | | |
| APPROVED <i>H. Kimura</i> <small>June.2013</small> | | RATING | | |
| CHECKED <i>S. Nakamura</i> <small>June.2013</small> | | DRAWING No. 3A00751E | | |
| DRAWN <i>T. Sugishima</i> <small>June.2013</small> | | SANSHIN ELECTRIC CORPORATION | | |

| Item No. | Part Name | Q'TY | Coad No. | Remarks | Item No. | Part Name | Q'TY | Coad No. | Remarks |
|----------|--------------------------------------|------|-----------|--|----------|--------------------------------------|------|-----------|---|
| 46 | Rack Housing | 1 | B4D00453 | | 58 | Elevation Limit Pin | 1 | B4D00663 | |
| 48 | DC Motor #TE-24SM-12-256S DC12V | 1 | C1500002 | | 59 | Elevation Rack | 1 | B4D016621 | |
| 49 | Elevation Pinion | 1 | B4D00879 | | 60 | Bushing | 1 | B4D00335 | |
| 50 | Hwxagon Socket Set Screw M4×5 | 2 | C0700401 | | 61 | Cross Recessed Pan Head Screws M4×12 | 1 | C0700370 | With #4 Spring Lock Washer And #4 Plain Washer |
| 51 | Motor Band | 1 | B4D008801 | | 62 | Hexagon Nuts M4 | 1 | C0700039 | With #4 Spring Lock Washer |
| 52 | Cross Recessed Pan Head Screws M3×8 | 4 | C0700319 | With #3 Spring Lock Washers And #3 Plain Washers (Small Size) | 63 | Elevation Link | 1 | B4D016631 | |
| 53 | Fitting Plate | 1 | B4D00881 | | 64 | Bushing | 1 | B4D00335 | |
| 54 | Cross Recessed Pan Head Screws M3×16 | 2 | C0700323 | With #3 Spring Lock Washers And #3 Plain Washers | 65 | Hexagon Socket Set Screw M4×25 | 1 | C0700407 | |
| 55 | Bushing LFF-0504 | 1 | C1300029 | | 66 | Hexagon Nut M4 | 2 | C0700039 | With #4 Spring Lock Washer ×1 And #4 Plain Washer ×1 |
| 56 | Rack Cover | 2 | B4D00462 | | | | | | |
| 57 | Cross Recessed Pan Head Screws M3×8 | 4 | C0700319 | With #3 Spring Lock Washers And #3 Plain Washers (Small Size) | | | | | |



| | | | |
|--|------------------------------|--|--|
| | SCALE 1:2 | TITLE 150W XENON SEARCHLIGHT DC24V ELEVATION MOVEMENT ASSEMBLY | |
| MASS | UNITS mm | | |
| FINISH | TYPE HRX-150 | | |
| APPROVED <i>S. Kimura</i> June.2013 | RATING | | |
| CHECKED <i>S. Nakamura</i> June.2013 | DRAWING No. 4A03251E | | |
| DRAWN <i>T. Sugishima</i> June.2013 | SANSHIN ELECTRIC CORPORATION | | |


REPAIR PARTS LIST

【Power Head Assembly】

Model No. HRX-150

4A03257E - 1/5

| Item No. | Part Name | Q'TY | Code No. | Remarks |
|----------|--|------|-----------|---|
| 1 | Glass Reflector | 1 | B3D00003 | |
| 2 | Mirror Bushing | 1 | B4D00389 | |
| 3 | Gasket | 1 | B4D00450 | |
| 4 | Retaining Ring C-Type, #35 | 1 | C0700008 | |
| 5 | Gasket | 2 | B3D00002 | |
| 6 | Reflector Clamper | 2 | B3D00001 | |
| 7 | Cross Recessed Pan Head Screws M4×12 | 8 | C0700370 | With #4 Spring Lock Washers And #4 Plain Washers |
| | | | | |
| 8 | Cathode Terminal | 1 | B4D00451 | |
| 9 | Bushing | 1 | B4D00391 | |
| 10 | Insulating Ring | 1 | B4D00390 | |
| 11 | Terminal Nut | 1 | B4D00452 | |
| 12 | Hexagon Socket Set Screw M4×6 | 1 | C0700922 | |
| 13 | Tab Terminal #250 | 1 | C2300143 | |
| 14 | Cross Recessed Pan Head Screws M4×8 | 2 | C0700619 | With #4 Spring Lock Washers And #4 Plain Washers |
| | | | | |
| 15 | Reflector Holder | 1 | B1D00088 | |
| 16 | Fulcrum Shaft | 2 | B4D016601 | With #8 Spring Lock Washers And #8 Plain Washers |
| 17 | Adjustment Washers #4 | — | C0700017 | As required |
| | | | | |
| 18 | Fitting Plate for Lamp Holder & Focusing | 1 | B3D00053 | |
| 19 | Hexagon Head Bolts M4×12 | 4 | C0700280 | With #8 Spring Lock Washers |
| 20 | Flat Washers | 4 | C0701253 | D16 × d4 × t 1 |

 **SANSHIN ELECTRIC CORPORATION**

Date
July 01, 2013

REPAIR PARTS LIST

【Power Head Assembly】

Model No. HRX-150

4A03257E - 2/5

| Item No. | Part Name | Q'TY | Code No. | Remarks |
|----------|---------------------------------------|------|-----------|--|
| 21 | Female Collet | 1 | B4D00457 | |
| 22 | Male Collet | 1 | B4D00455 | |
| 23 | Focus Driving Rack | 1 | B4D00454 | |
| 24 | Rack Housing | 1 | B4D00453 | |
| 25 | Cross Recessed Plate Head Screw M4×10 | 3 | C0700797 | |
| 26 | Rack Sealed Cap | 1 | B4D00393 | |
| 27 | Focus Limit Pin | 1 | B4D00456 | |
| 28 | Hexagon Nut M4 | 1 | C0700039 | With #4 Spring Lock Washer ×1 And #4 Plain Washers ×2 |
| 29 | Spring | 1 | B4D00319 | |
| 30 | Retaining Ring E-Type #4 | 1 | C0700603 | |
| | | | | |
| 31 | DC Motor , #TE-20-69-E-500S | 1 | C1500003 | |
| 32 | Focus Pinion | 1 | B4D00392 | |
| 33 | Hexagon Socket Set Screw M4×5 | 2 | C0700401 | |
| 34 | Motor Base | 1 | B4D00458 | |
| 35 | Cross Recessed Plate Head Screw M4×40 | 2 | C0700963 | |
| 36 | Hexagon Nut M4 | 2 | C0700039 | With #4 Spring Lock Washers And #4 Plain Washers |
| | | | | |
| 37 | Elevation Driving Base | 1 | B2D00151 | |
| 38 | Bottom Plate | 1 | B4D016591 | |
| 39 | Cross Recessed Plate Head Screw M4×6 | 3 | C0700955 | |
| | | | | |
| | | | | |



SANSHIN ELECTRIC
CORPORATION

Date

July 01, 2013

REPAIR PARTS LIST

【Power Head Assembly】

Model No. HRX-150

4A03257E - 3/5

| Item No. | Part Name | Q'TY | Code No. | Remarks |
|----------|---------------------------------------|------|-----------|---|
| 40 | Plug-in Board | 1 | B4D00460 | |
| 41 | Hexagon Nut M4 | 2 | C0700039 | With #4 Spring Lock Washers ×2 And #4 Plain Washers ×8 |
| 42 | Wave Washers #WW-4 | 4 | C0700830 | |
| 43 | Pan Head Screw M4×12 | 2 | C0700370 | |
| 44 | Fitting Plate for Board | 1 | B4D00459 | |
| 45 | Cross Recessed Pan Head Screw M5×12 | 2 | C0700379 | With #5 Spring Lock Washers And #5 Plain Washers |
| 46 | Rack Housing | 1 | B4D00453 | |
| 47 | Cross Recessed Plate Head Screw M6×12 | 2 | C0700469 | |
| 48 | DC Motor , #TE-24SM-12-256S DC12V | 1 | C1500002 | |
| 49 | Elevation Pinion | 1 | B4D00879 | |
| 50 | Hexagon Socket Set Screw M4×5 | 2 | C0700401 | |
| 51 | Motor Band | 1 | B4D008801 | |
| 52 | Cross Recessed Pan Head Screw M3×8 | 4 | C0700319 | With #3 Spring Lock Washers And #3 Plain Washers |
| 53 | Fitting Plate | 1 | B4D00881 | |
| 54 | Pan Head Screw M3×16 | 2 | C0700323 | With #3 Spring Lock Washers And #3 Plain Washers |
| 55 | Bushing LFF-0504 | 1 | C1300029 | |
| 56 | Rack Cover | 2 | B4D00462 | |
| 57 | Cross Recessed Pan Head Screw M3×8 | 4 | C0700319 | With #3 Spring Lock Washers And #3 Plain Washers |
| 58 | Elevation Limit Pin | 1 | B4D00663 | |
| 59 | Elevation Rack | 1 | B4D016621 | |


REPAIR PARTS LIST

【Power Head Assembly】

Model No. HRX-150

4A03257E - 4/5

| Item No. | Part Name | Q'TY | Code No. | Remarks |
|----------|--------------------------------------|------|-----------|---|
| 60 | Bushing | 1 | B4D00335 | |
| 61 | Cross Recessed Pan Head Screw M4×12 | 1 | C0700370 | With #4 Spring Lock Washer And #4 Plain Washer |
| 62 | Hexagon Nut M4 | 1 | C0700039 | With #4 Spring Lock Washer |
| 63 | Elevation Link | 1 | B4D016631 | |
| 64 | Bushing | 1 | B4D00335 | |
| 65 | Hexagon Socket Set Screw M4×25 | 1 | C0700407 | |
| 66 | Hexagon Nut M4 | 2 | C0700039 | With #4 Spring Lock Washer ×1 And #4 Plain Washer ×1 |
| 67 | Microswitch #D2MV-01L22-1C3 | 1 | C0200005 | |
| 68 | Separator | 1 | B4D00464 | |
| 69 | Nut Plate | 1 | B4D00465 | |
| 70 | Cross Recessed Pan Head Screws M3×18 | 2 | C0700324 | With #3 Spring Lock Washers And #3 Plain Washers |
| 71 | Fitting Plate for Microswitch | 1 | B4D00463 | |
| 72 | Cross Recessed Pan Head Screws M4×8 | 2 | C0700368 | With #4 Spring Lock Washers And #4 Plain Washers |
| 73 | Fitting Plate for Ballast & Starter | 1 | B3D01463 | |
| 74 | Cross Recessed Pan Head Screws M5×12 | 4 | C0700379 | With #5 Spring Lock Washers And #5 Plain Washers |
| 75 | Grommet #47 | 2 | C0800003 | |
| 76 | Xenon Ballast , #XE-150SD-DC24 | 1 | C7300094 | |
| 77 | Hexagon Head Bolts M4×10 | 4 | C0700279 | With #4 Spring Lock Washers And #4 Plain Washers |
| 78 | Tab Terminal #250 | 1 | C2300143 | |

 **SANSHIN ELECTRIC CORPORATION**

Date
July 01, 2013

REPAIR PARTS LIST

Model No. HRX-150

【Power Head Assembly】

4A03257E - 5/5

| Item No. | Part Name | Q'TY | Code No. | Remarks |
|----------|---------------------------------------|------|----------|---|
| 79 | Starter #STX-10 | 1 | C7300102 | |
| 80 | Cross Recessed Pan Head Screw M3×8 | 4 | C0700361 | With #3 Spring Lock Washers And #3 Plain Washers |
| 81 | Supporting Plate | 1 | B4D00461 | |
| 82 | Cross Recessed Pan Head Screw M5×10 | 4 | C0700378 | With #5 Spring Lock Washers And #5 Plain Washers |
| 83 | Clip #SN-5A | 1 | C2300110 | |
| 84 | Cross Recessed Pan Head Screw M4×8 | 1 | C0700368 | With #4 Spring Lock Washer And #4 Plain Washer |
| 85 | Noise Filter #SUP-B0315-F | 1 | C4900343 | |
| 86 | Cross Recessed Plate Head Screw M4×10 | 2 | C0700797 | |
| 87 | Hexagon Nut M4 | 2 | C0700039 | With #4 Spring Lock Washers And #4 Plain Washers |
| 88 | Spring #E-608 | 1 | C0700009 | |
| | | | | |
| | | | | |
| | | | | |
| | | | | |
| | | | | |
| | | | | |
| | | | | |
| | | | | |
| | | | | |

Date

July 01, 2013