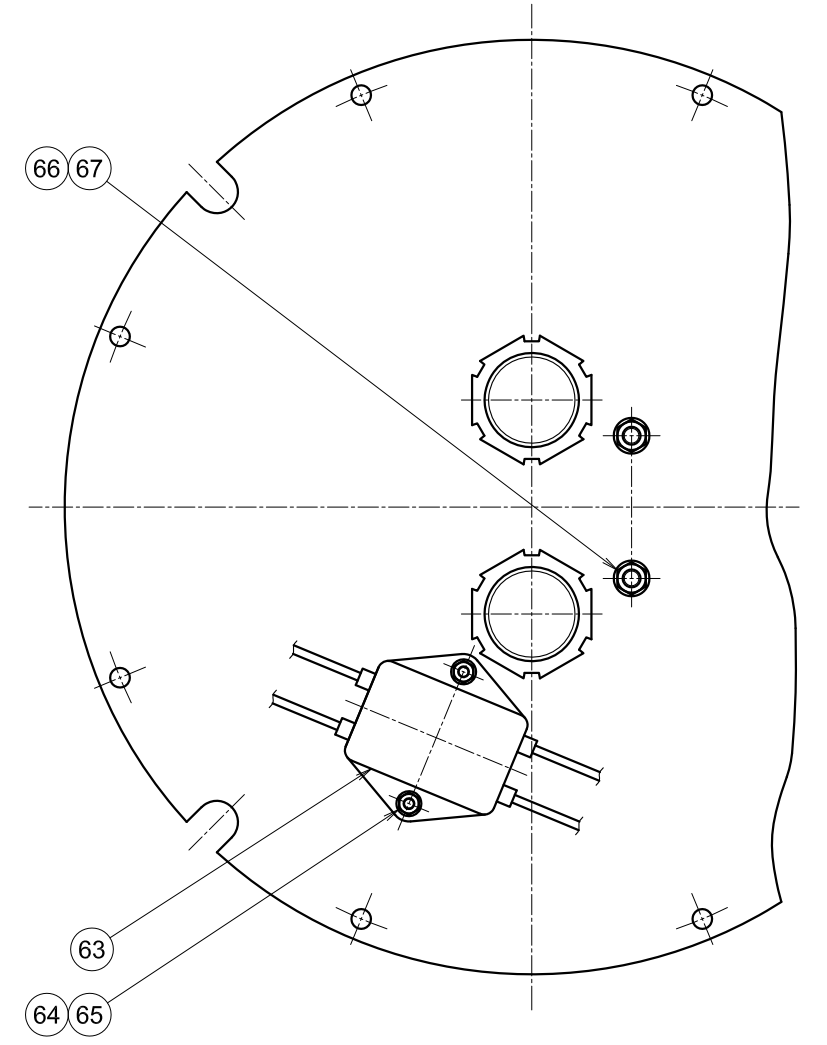
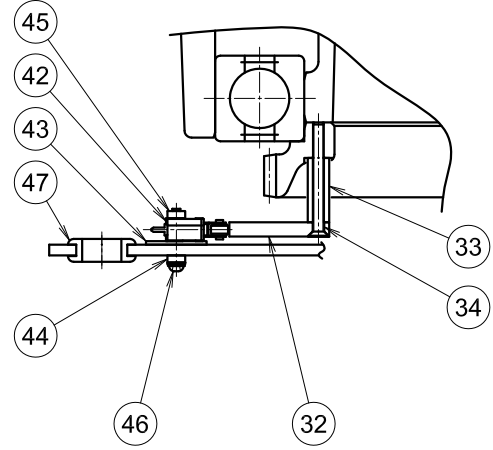


SECTION ARROW (A - A)



VIEW IN DIRECTION OF ARROW B



No.	NAME OF PARTS	MATERIAL	Q'TY	REMARKS
SCALE		TITLE		
1:1.5		150W XENON SEARCHLIGHT DC24V SEARCHLIGHT ASSEMBLY		
MASS	UNITS	TYPE		
	mm	HRX-150		
APPROVED	RATING			
<i>S. Nakamura</i>				
CHECKED	DRAWING No.		2A00009E	
<i>S. Nakamura</i>				
DRAWN	SANSHIN ELECTRIC CORPORATION			
<i>S. Supshima</i>				

REPAIR PARTS LIST

【 Searchlight Assembly 】

Model No. HRX-150

4A03258E - 1/5

Item No.	Part Name	Q'TY	Code No.	Remarks
1	Front Frame	1	B1D000052	
2	Gasket	1	B3D00004	
3	Front Glass	1	B4D00305	
4	Support Frame	1	B2D00001	
5	Hexagon Socket Head Bolts M4×12	12	C0700735	
6	Hexagon Socket Head Bolts M8×60	4	BC0700731	Stray Current Corrosion Prevention Coating
7	Housing	1	B1D000042	
8	Seal Gasket #Ø3.5	1	C0800225	
9	O-Ring #G120	1	C0800002	
10	Back-up Ring	1	B3D00011	
11	Oil Seal #VRA 120	1	C0800060	
12	Cross Recessed Pan Head Screws M4×12	4	C0700977	With #4 Spring Lock Washers
13	Connector Clip	2	B4D00306	
14	Cross Recessed Pan Head Screws M4×10	2	C0700369	With #4 Spring Lock Washers And #4 Plain Washers
15	Power Head Assembly - Complete -	1	B1D00089	
16	Nameplate	1	BNP1902	
17	Cross Recessed Truss Head Screws M4×12	2	C0701107	
18	Base	1	B1D000062	
19	Slide Plate	1	B4D00345	
20	Cross Recessed Plate Head Screw M3×8	8	C0700453	


REPAIR PARTS LIST

【Searchlight Assembly】

Model No. HRX-150

4A03258E - 2/5

Item No.	Part Name	Q'TY	Code No.	Remarks
21	Bearing #6018VV	2	C1300158	
22	Outer Race Ring	1	B4D00329	
23	Bearing Retaining Clip	6	B4D00330	
24	Hexagon Socket Head Bolts M4×10	6	C0700431	With #4 Spring Lock Washers And #4 Plain Washers
25	Turning Boss	1	B2D00002	
26	Retaining Ring C-Type #90	1	C0700007	
27	Hexagon Socket Head Bolts M6×30	5	C0700901	With #6 Spring Lock Washers And #6 Plain Washers
28	Slip Ring Assembly	1	B3D00666	
28-1	Slip Ring	1	—	
28-2	Wire Joint Board	1	—	
28-3	Wire Assembly	8	—	
28-4	Card Edge Connector	1	—	
28-5	Nameplate	1	—	
29	Hexagon Socket Head Bolts M5×14	3	C0700436	With #5 Spring Lock Washers And #5 Plain Washers
30	Turning Gear	1	B3D00012	
31	Hexagon Socket Head Bolts M4×20	5	C0700432	With #4 Spring Lock Washers And #4 Plain Washers
32	Centering Cam	1	B4D00331	
33	Support	2	B4D00333	
34	Cross Recessed Plate Head Screw M3×30	2	C0700945	

 **SANSHIN ELECTRIC CORPORATION**

Date
July 01, 2013

REPAIR PARTS LIST

Model No. HRX-150

【 Searchlight Assembly 】

4A03258E - 3/5

Item No.	Part Name	Q'TY	Code No.	Remarks
35	Fitting Plate for Turning Motor	1	B3D00056	
36	Hexagon Socket Head Bolts M5×12	3	C0701048	With #5 Spring Lock Washers And #5 Plain Washers
37	DC Motor TE-40QG-12-200SD	1	C1500245	
38	Turning Pinion	1	B4D00328	
39	Hexagon Socket Set Screw M6×8	2	C0700418	
40	Cross Recessed Pan Head Screws M3×12	4	C0700363	With #3 Spring Lock Washers ×4 And #3 Plain Washers ×4
41	Hexagon Nut M3	4	C0700038	With #3 Spring Lock Washers ×4
42	Microswitch ##SS-01GL2	1	C0200006	
43	Saparator	1	B4D00321	
44	Covering Plate	1	B4D00332	
45	Nut Plate	1	B4D00322	
46	Cross Recessed Pan Head Screws M2.3×16	2	C0701231	With #2.3 Spring Lock Washers And #2.3 Plain Washers
47	Grommet #G-47	1	C0800003	
48	Fitting Plate for Brush Holder	1	B3D00055	
49	Hexagon Socket Head Bolts M5×12	3	C0701048	With #5 Spring Lock Washers And #5 Plain Washers
50	Brush Holder Assembly	1	B3D00667	
50-1	Brush Holder	1	—	
50-2	Brush	8	—	
50-3	Spring	8	—	
50-4	Holder Cover	1	—	

REPAIR PARTS LIST

【Searchlight Assembly】

Model No. HRX-150

4A03258E - 4/5

Item No.	Part Name	Q'TY	Code No.	Remarks
50-5	Spring Pin $\varnothing 2.5 \times 8$	1	—	
50-6	Wire Assembly (for Lamp Circuit)	1	—	
50-7	Wire Assembly (for Control Circuit)	1	—	
51	Cross Recessed Pan Head Screws M4 \times 12	3	C0700370	With #4 Spring Lock Washers And #4 Plain Washers
52	Fitting Plate for Driver Unit	1	B4D00466	
53	Cross Recessed Pan Head Screws M4 \times 8	4	C0700368	With #4 Spring Lock Washers And #4 Plain Washers
54	Driver Unit Board #PP-207A	1	BPP207A1	
55	Bushing #TB-300 / TA-314	4	C2300151 / C2300270	
56	Cross Recessed Pan Head Screws M3 \times 18	4	C0700366	With #3 Spring Lock Washers $\times 8$ And #3 Plain Washers $\times 4$
57	O-Ring #G220	1	C0800004	
58	Base Plate	1	B3D00062	
59	Cable Gland #20c	1	C4900278	
60	Cable Gland #L15c	1	C4901295	
61	Main Cable Assembly	1	B3D00668	
62	Control Cable Assembly	1	B3D00669	
63	Noise Filter #ZGB 2201-01U	1	C9500035	
64	Cross Recessed Plate Head Screw M3 \times 10	2	C0700454	
65	Hexagon Nut M3	2	C0700038	With #3 Spring Lock Washers And #3 Plain Washers



SANSHIN ELECTRIC
CORPORATION

Date

July 01, 2013

REPAIR PARTS LIST

Model No. HRX-150

【Searchlight Assembly】

4A03258E - 5/5

Item No.	Part Name	Q'TY	Code No.	Remarks
66	Cross Recessed Pan Head Screws M5×12	2	C0700379	With #5 Spring Lock Washers And #5 Plain Washers
67	Hexagon Nut M5	2	C0700040	With #5 Spring Lock Washers And #5 Plain Washers
68	Hexagon Socket Head Bolts M5×14	8	C0702338	Stray Current Corrosion Prevention Coating
69	Rubber Base	1	B3D00016	